

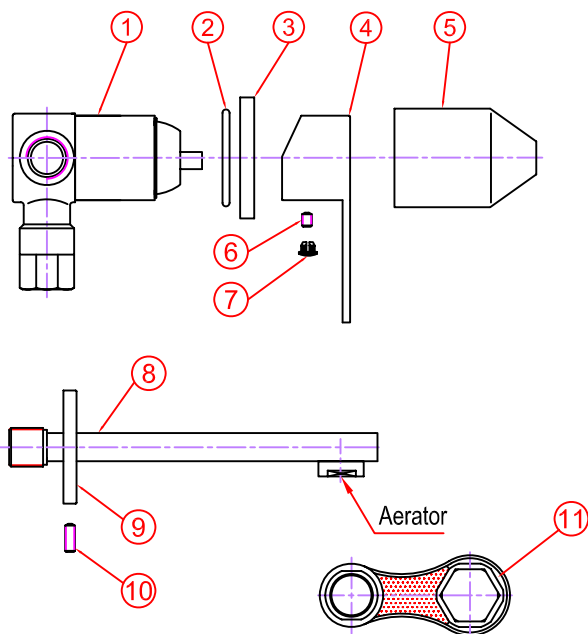
※ Accessories Checking

LIST OF THE STANDARD ACCESSORIES:

Please double-check the accessory list hereinafter and contact our company or our distributor for any unconformity.

Remarks:

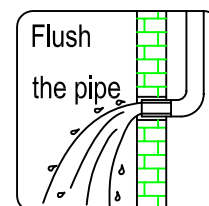
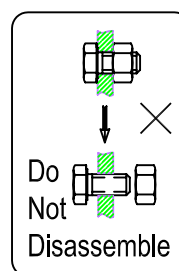
- 1, Without affecting their performing, accessories may be changed without further notice.
- 2, Drawings for reference only. Product size & shape refer to actual faucet.



The Accessory List	QTY
1.Main body	1
2.Cushion	1
3.Cover plate	1
4.Handle hook	1
5.Plastic guard	1
6.Bolt A	1
7.Red / blue mark	1
8.Spout	1
9.Decorative seat	1
10.Bolt B	1
11.installation tool	1

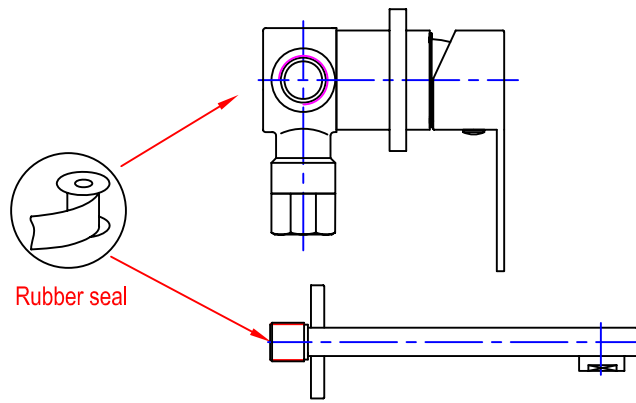
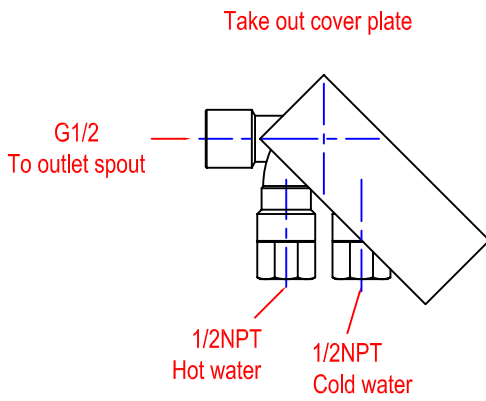
※ Installation Instructions

- ☆ Do not disassemble the main body, as it has been installed & commissioned correctly & precisely before leaving the factory.
- ☆ To avoid the faucet from jamming, do flush the water pipe before installation.
- ☆ After installation, make sure every joint safely sealed & no leaking.
- ☆ The nominal water pressure is 0.05 -1.0Mpa (including cold & hot water pressure), suitable for water temperature from 4℃ to 90℃.
- ☆ Make sure to connect the hot/cold inlet pipe correctly, if standing in front, hot water pipe connecting to the left & cold water pipe connecting to the right.



※ Installation Procedures

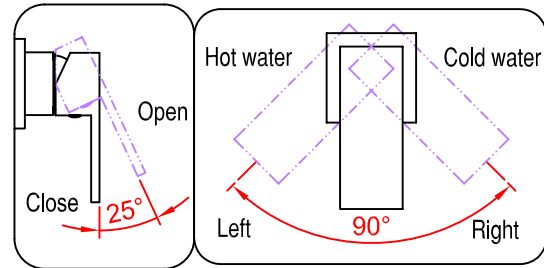
- ☆ Dig slots on the wall according to the height of the washbasin & the size of mainbody, with the hot & cold water pipes installed in the wall;
- ☆ Connect & fix the mainbody to the water pipe, the water pipe to the spout hole. seal every joint with rubber seal.
- ☆ Cover the slots with covering boards leaving two holes (as per drawings hereinafter) for mainbody & spout, the mainbody must be safely protected.
- ☆ Install covering plate & the handle set to the mainbody; Connect the spout on to the pre-installed connector; And then invaginate the spout into the decorative seat, screw down the bolt to fix the decorative seat. The last step is to install the washer and aerator, and screw down by installation tool. The installation work is complete.



※ Usage

☆ How to operate the handle

- 1) Raise the handle lever up for opening water, push down to close;
- 2) Turn the handle lever to the left to increase hot water flow to higher water temperature, and lower the water temperature by operating reversely.



※ Cleaning & Maintenance

☆ To keep the product clean & shining, follow the steps as below:

1. Flush with clean water & dry with soft cloth only;
2. If any dirt, clean with soft liquid or transparent glass detergent.
3. Do not use any scrubbing detergent, polisher, sand-cloth, paper tissue or scraper.
4. Do not use acid detergent, indissolvable grain-like detergent or soap.

