

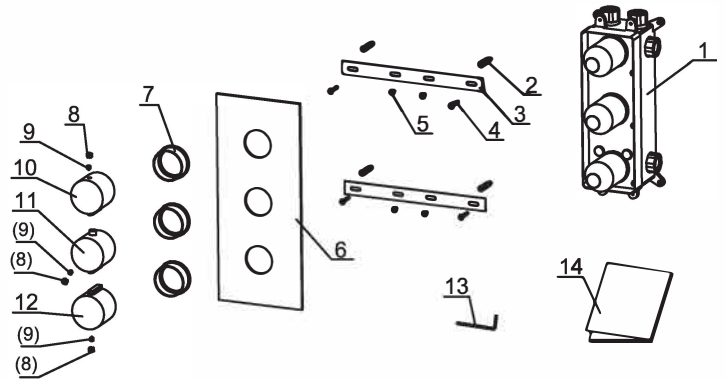
Installation Instruction

Concealed Thermostatic Shower mixers

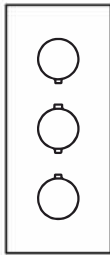
※ Range

This instruction manual is for our 4-way thermostatic shower mixer 5, 100200758** and 6, 100200833**, and for the 2-way and 3-way shower mixers 1, 100200756**, 2, 100200831**, 3, 100200757** and 4, 100200832**, please just refer to this and make proper adjustments.

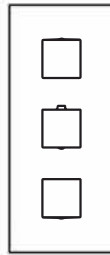
No.	Model No.s	Description
1	100200756**	Concealed Thermostatic Shower Mixers (2-way)
2	100200831**	
3	100200757**	Concealed Thermostatic Shower Mixers (3-way)
4	100200832**	
5	100200758**	Concealed Thermostatic Shower Mixers (4-way)
6	100200833**	



1)Product Image 1:



2)Product Image 2:



List of Components	Pcs	List of Components	Pcs	List of Components	Pcs
1. Rough-in body	1	6. Plate	1	11. Temperature handle	1
2. Swelling Plastic Button	4	7. Cover	3	12. Volume handle	1
3. Positioning bar	2	8. Button	3	13. Allen key	1
4. Tapping screw 1	4	9. Screw 1	3	14. Instruction	1
5. Tapping screw 2	4	10. Diverter handle	1		

1.Application:

The concealed Thermostatic shower mixers are applicable for storage-type and low-pressure solar heating systems.

2.Specifications:

- ※ Product standard: QB2806-2006;
- ※ The hot and cold water supplying flowrate can be adjusted or shut-off by vertically rotating the screws on the front of the concealed rough-in body.
- ※ With thermostatic cartridge to guarantee stablized water temperature.
- ※ With safty lock to prevent scalding.
- ※ With automatic shut-off function in case of short-supply of cold water.

3.Water pressure:

- ※ Min.: 0.14MPa.
- ※ Suggested range: 0.14-0.5MPa.
- ※ When under pressure of 0.5MPa, pressure-reducing is necessary.
- ※ Max.: 0.86MPa.
- ※ Strength testing pressure: 2.5MPa.

4. Flowrate:

- 15. 5L/min when cold and hot water pressure at 0.3MPa.
- 6.5L/min when cold and hot water pressure at 0.07MPa.

5.Water temperature:

When hot water supplying temperature at 50°C-82°C and cold water supplying temperature at 3. 9°C-27°C, mixing water temperature can be adjusted from 38°C to 49°C with ±2°C tolerance.

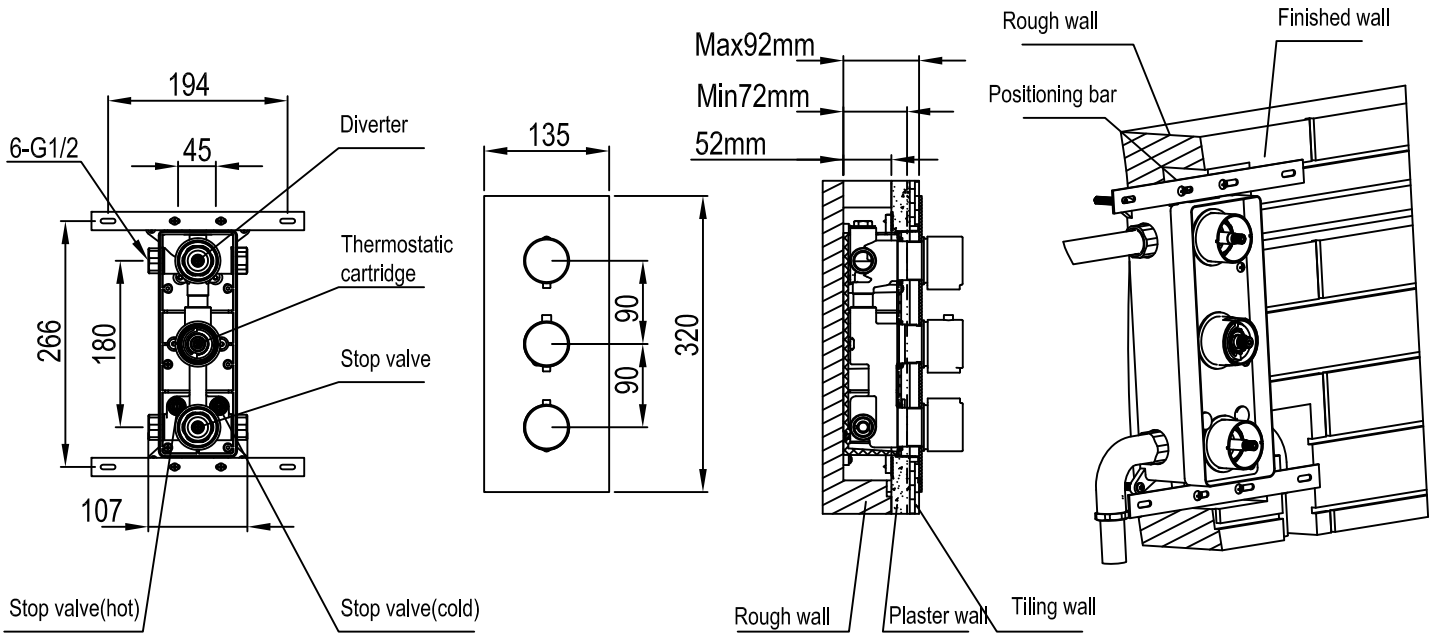
6.Rough-in installation:

- ※ Check list of components.
- ※ Prepare wall and dig curves accordingly.
- ※ Fix rough-in body properly.

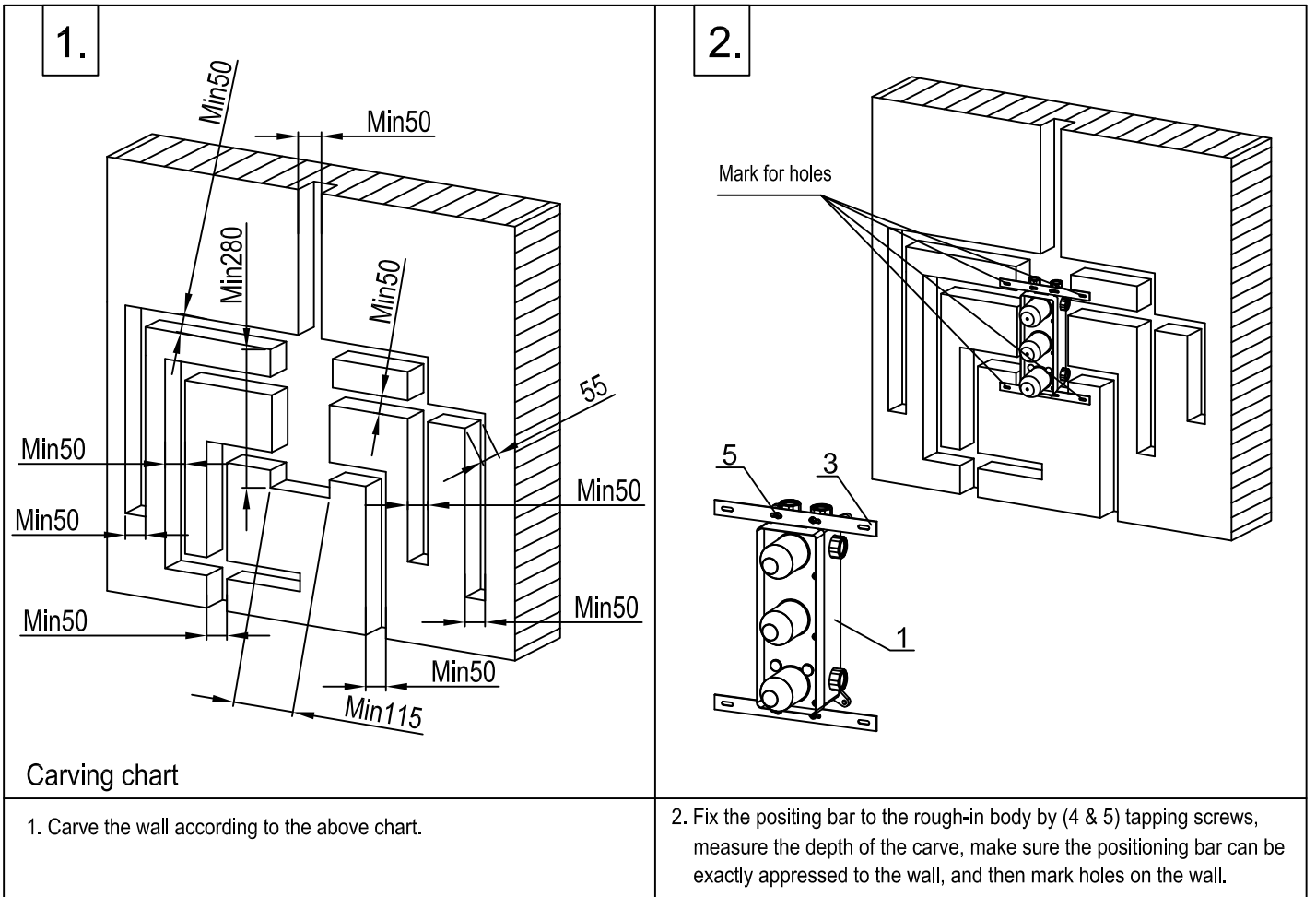
7. Important:

- ※ The diverter of the mixing water is not a shut-off diverter.
- ※ Welding temperature shall be carefully controled.
- ※ Check tightness of joints.
- ※ Flush the pipes.
- ※ Hot water supplying connect to the left, and cold to right.

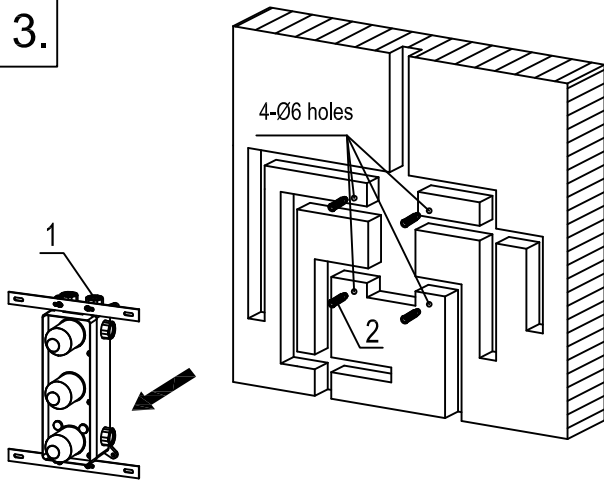
※ Basic dimensions:



※ Installation procedures:

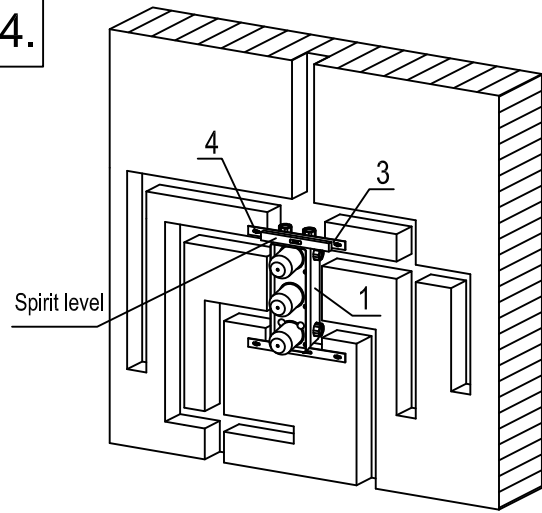


3.



3. Remove the rough-in body, dig 4 Ø6 holes as per marking, then knock the (2) swelling plastic button into the wall.

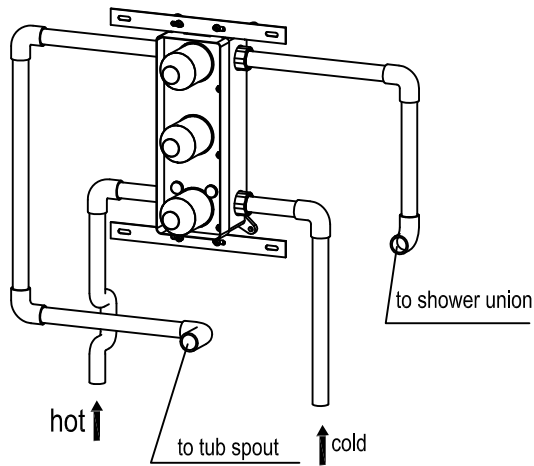
4.



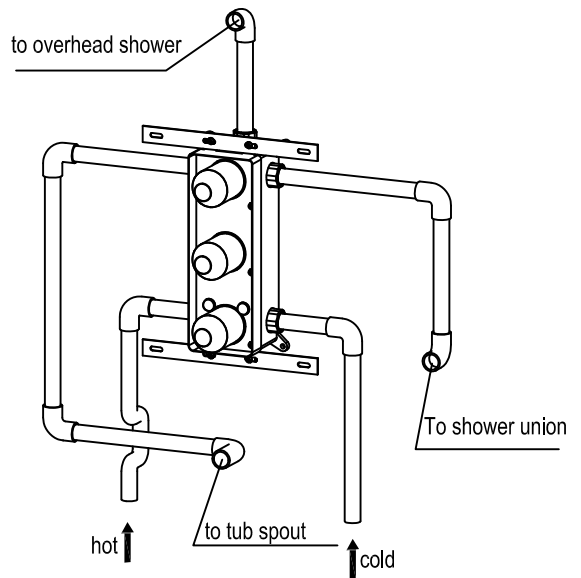
4. Put the (4) tapping screw into the swelling plastic button with a screw driver, make sure that the rough-in body is horizontal with the spirit lever, and then fix the rough-in body by tightening the tapping screws.

5.

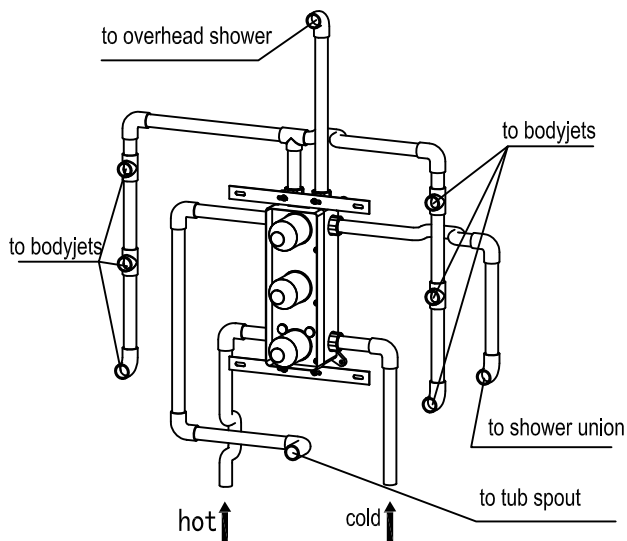
water supplying pipes (2-way)



water supplying pipes (3-way)

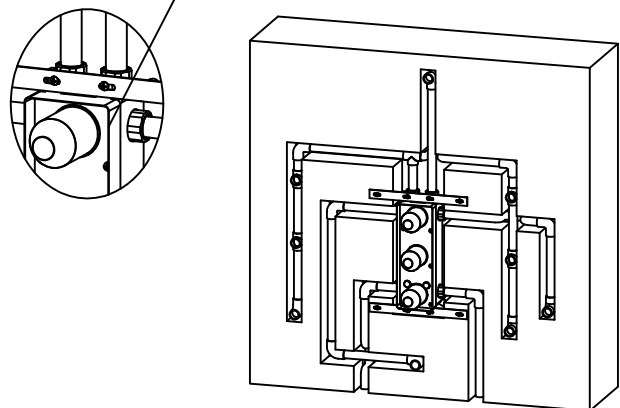


water supplying pipes (4-way)



6.

Tiling surface shall not exceed the upper edge of installation box.



5. Connect the rough-in body to water supplying pipes according to above drawings, and then ensure no leakage of all pipes.

Testing pressure:

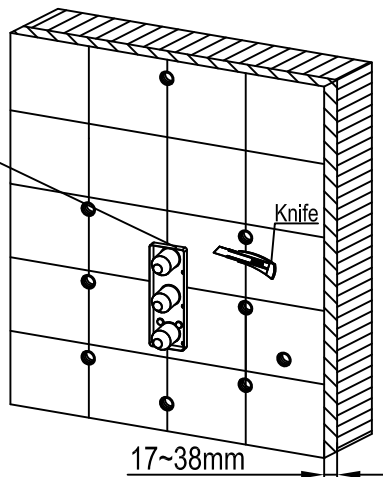
Pipes and mixer testing when cartridge shut off: $\leq 1.6\text{MPa}$.

Pipes and mixer testing with water flowing: $\leq 0.4\text{MPa}$.

6. Max. tiling thickness: 17~38mm.

7.

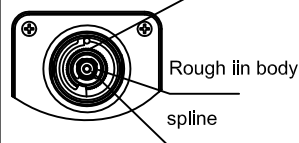
Cut the exceeding edge of the installation box.



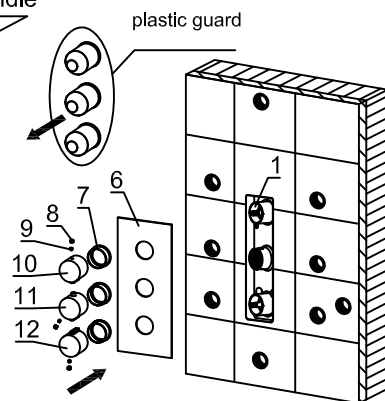
8.

click lock of temperature handle

IMPORTANT:



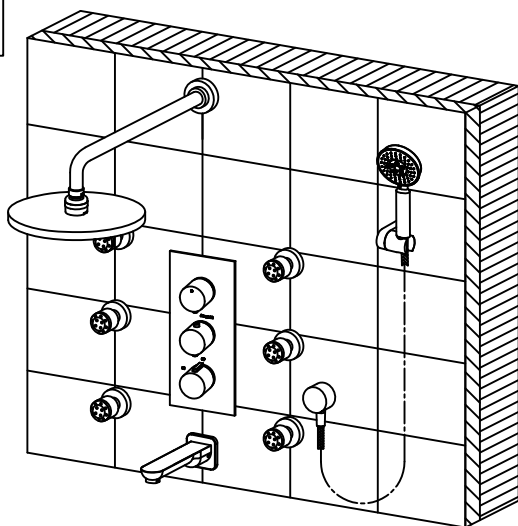
1. The black mark on the spline shall be at 38° position to the black mark on the rough-in body.
2. The click lock shall be exactly at 38° position as per drawing.



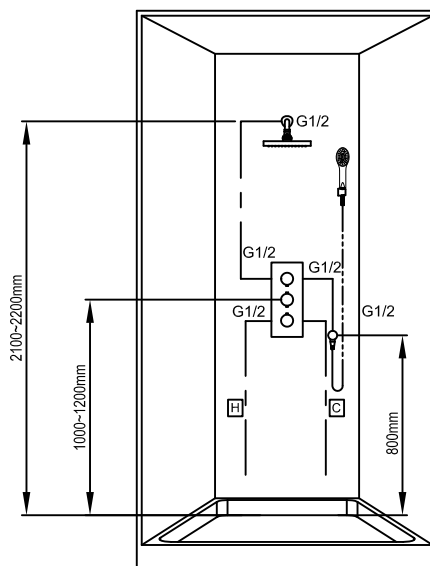
7. In case of exceeding of the installation box from the tiling wall, cut it to install the covering plate.

8. Remove the plastic guard, put the plate on through, screw the covers on, and the three handles on, and after adjusting and fixing the handles, put the buttons on.

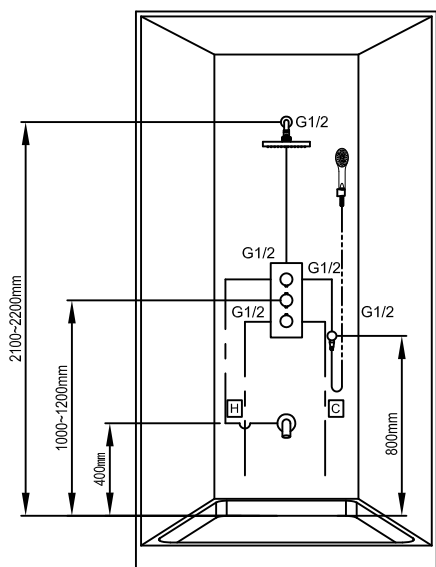
9.



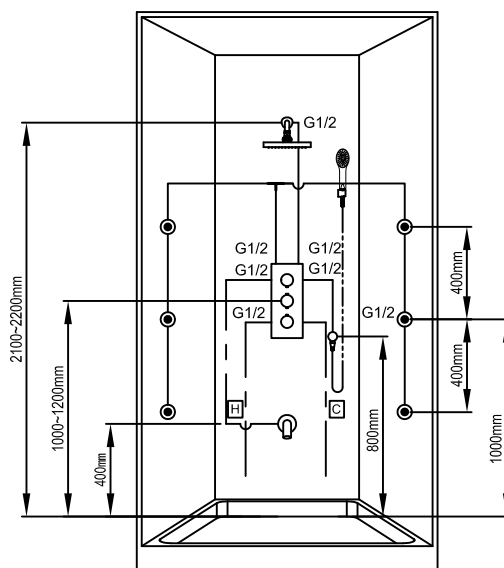
9. After fixing the overhead shower, tub spout, bodyjets and handshower set, open the water to test and ensure the tightness of all joints.



2-way



3-way



4-way