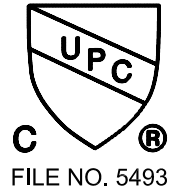


INSTALLATION MANUAL

SINGLE-LEVER LAVATORY FAUCET

ITEM No.:



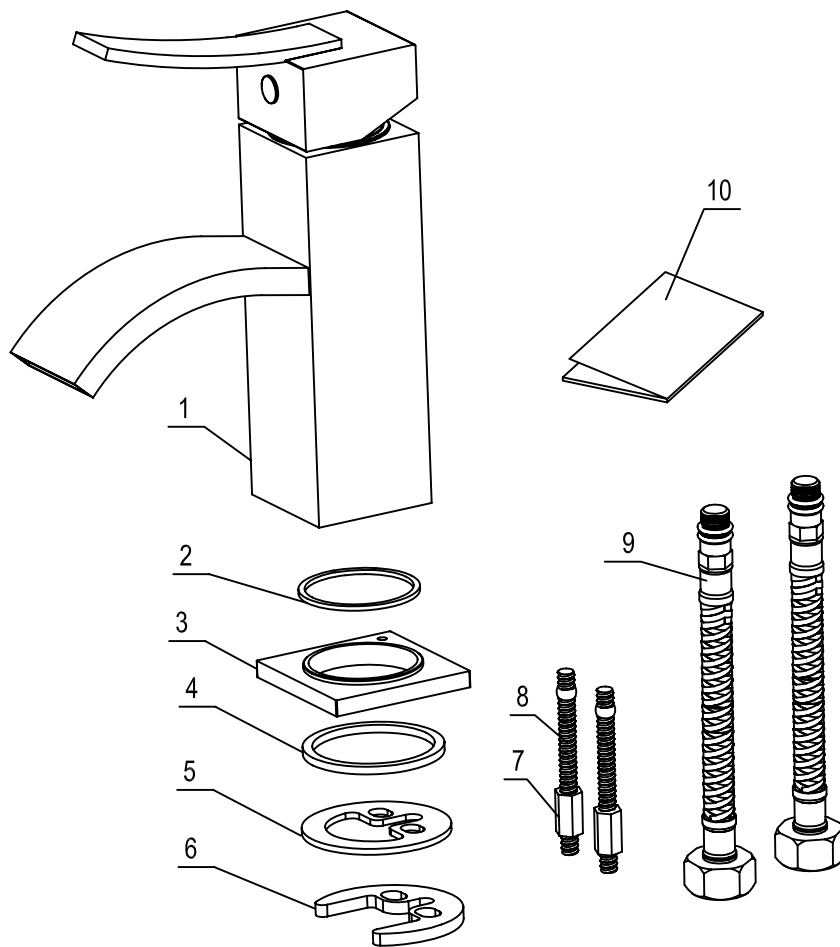
※ COMPONENTS CHECKING

LIST OF THE STANDARD COMPONENTS:

Please double-check the component list hereinafter and contact our company or our distributor for any unconformity.

Remarks:

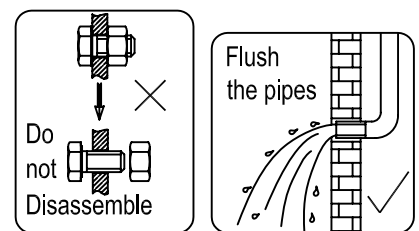
- 1, Without affecting their performance, components may be changed without further notice.
- 2, Drawings for reference only. Product size & shape refer to actual faucet.



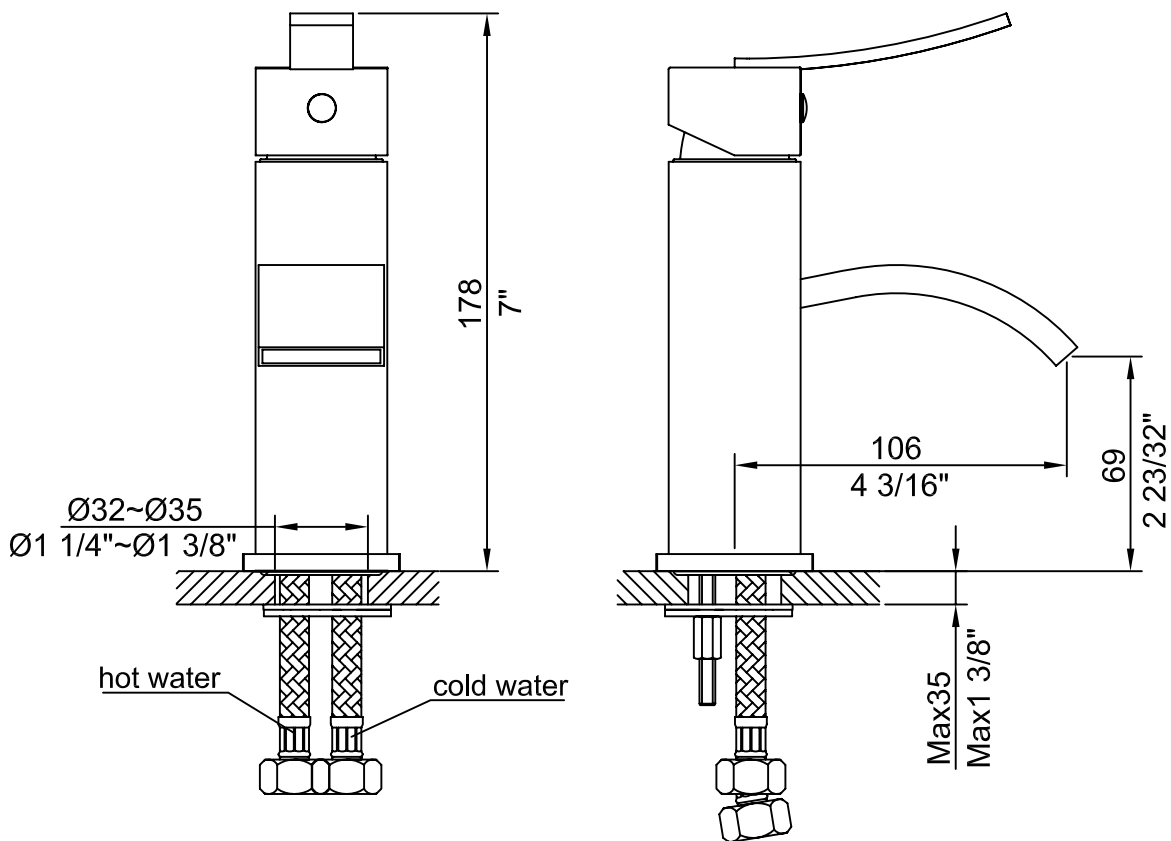
The Accessory List	Qty.
1 .Main body	1
2 .Washer A	1
3 .Base	1
4 .Washer B	1
5 .2-hole washer	1
6 .2-hole gasket	1
7 .Long rod	2
8 .Hexangular nut	2
9 .Inlet pipe	2
10 .Installation manual	1

※ Installation Instructions

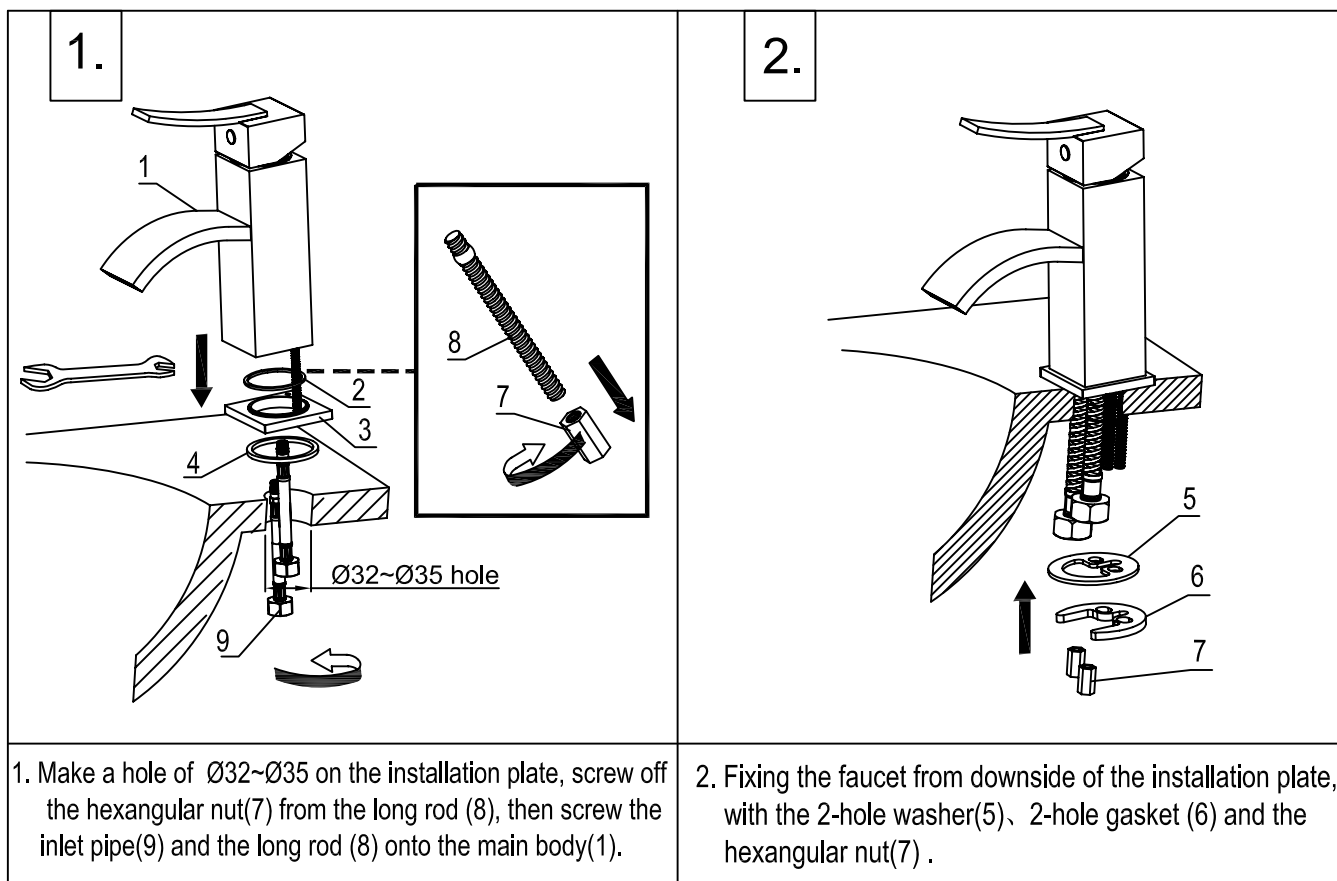
- ☆ Do not disassemble the main body, as it has been installed & commissioned correctly & precisely before leaving the factory.
- ☆ To avoid the faucet from jamming, do flush the water pipe before installation.
- ☆ After installation, make sure every joint safely sealed & no leaking.
- ☆ The nominal water pressure is 0.05 -1.0Mpa (including cold & hot water pressure), suitable for water temperature from 4°C to 90°C.
- ☆ Make sure to connect the hot/cold inlet pipe correctly, if standing in front, hot water pipe connecting to the left & cold water pipe connecting to the right.

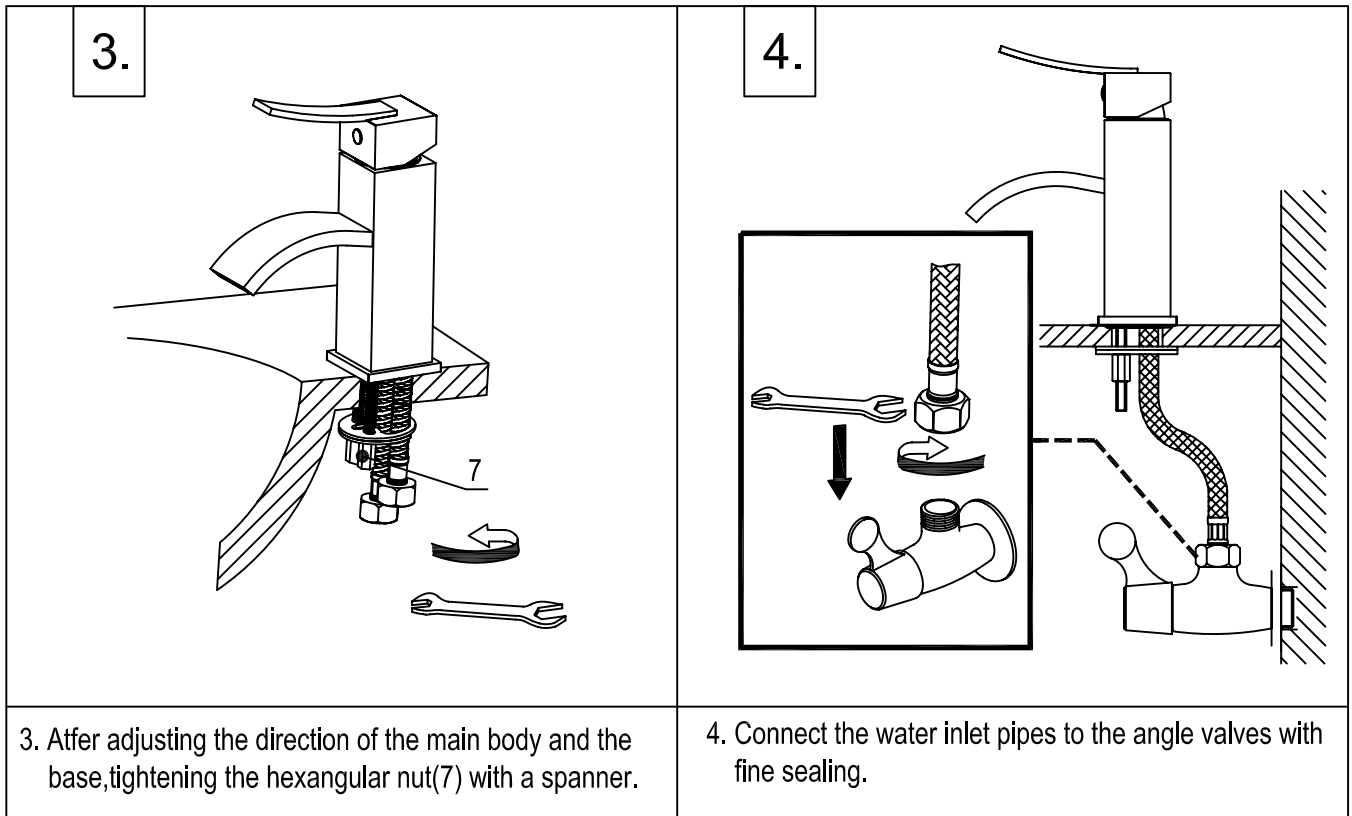


※ Dimension Drawing



※ Installation Procedures

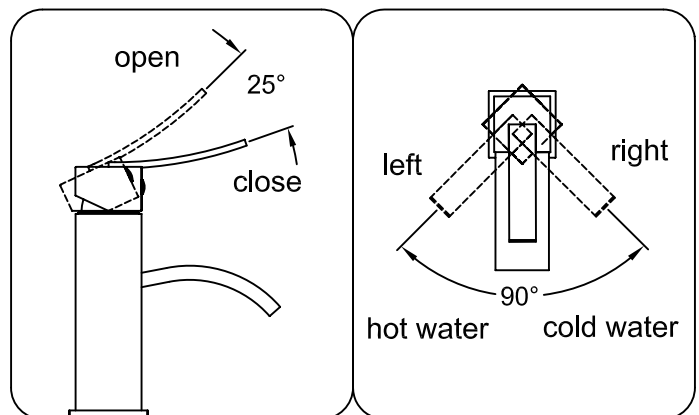




※ Usage:

☆ How to operate the handle

- 1) Raise the handle lever up for opening water, push down to close;
- 2) Turn the handle lever to the left to increase hot water flow to higher water temperature, and lower the water temperature by operating reversely.



※ Cleaning & Maintenance

☆ To keep the product clean & shining, follow the steps as below:

1. Flush with clean water & dry with soft cloth only;
2. If any dirt, clean with soft liquid or transparent glass detergent.
3. Do not use any scrubbing detergent, polisher, sand-cloth, paper tissue or scraper.
4. Do not use acid detergent, indissolvable grain-like detergent or soap.
5. Circumrotate the aerator off and clean it when necessary.



※ This installation instruction is only for your reference, the final right to explain & to revise it belongs to us.