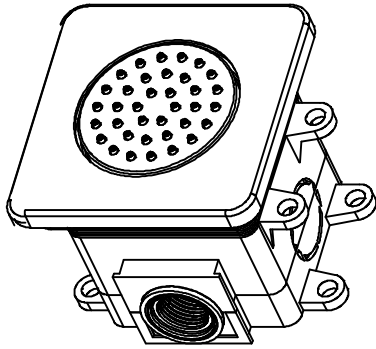




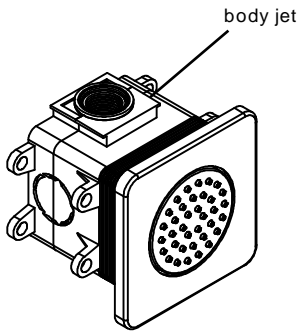
# Body Jet Installation Instructions

AB3801



ITEM.NO:

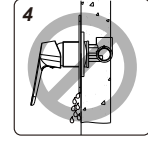
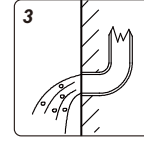
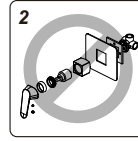
## 3. Standard Part List



(NO.)	(Part Name)	(Quantity)	(NO.)	(Part Name)	(Quantity)
1	body jet	1	7		
2	Component bag	1	8		
3			9		
4			10		
5			11		
6			12		

## 1. Installation Condition

1. Refer to the 《Standard Part List》 when you open package, check all parts available.
2. Do not disassemble mixer body by yourself.
3. Determine inlet pipes and supply stopper have been installed and cleaned, also ensure no impurities in pipeline.
4. When finished installation, check all joints and connections for leaks.



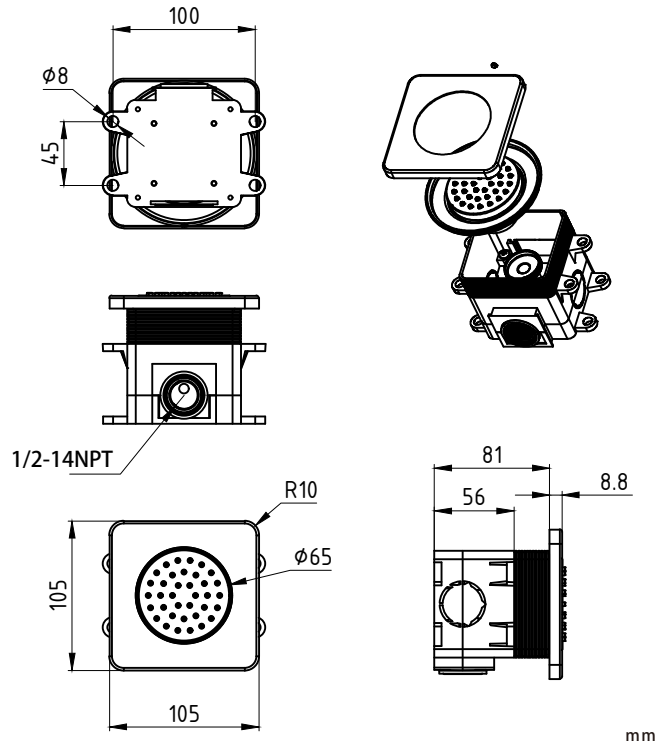
Warn:After conceal the accessories which embedding in the wall,do no envelop wall until test no leakage.

## 2. Safe Notes



- ⚠ Gloves should be worn during installation to prevent crushing and cutting injuries.
- ⚠ Children as well as adults with physical, mental and/or sensoric impairments must not use this shower system without proper supervision. Persons under the influence of alcohol or drugs are prohibited from using this shower system.
- ⚠ Do not allow the streams of the shower touch sensitive body parts (such as your eyes). An adequate distance must be kept between the shower and you.
- ⚠ The hot and cold supplies must be of equal pressures.

## 4. Essential Dimension Diagram



mm

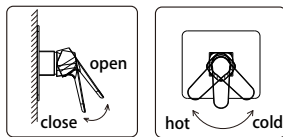
We will update and improve the design and the function,we will keep the right to change the size,we will not advise at that time again.

## 5. Installation Step

<p><b>1</b> Location</p>	<p><b>2</b> Installation depth</p>	<p><b>3</b> The pipe connection</p>
<p><b>4</b> Cut out excess plastic shell</p>	<p><b>5</b> Screw the spray on, put the cover on and lock up</p>	<p><b>6</b> Put the body jets together using previous method</p>

## 6. Application Instruction

- For protect the valve, please turn on the faucet slowly.
- Turn on the faucet by turn up the handle. The larger angle, the greater flow rate, the smaller angle, the less flow rate. Until turn off.
- Turn left for the hot water and turn right for the cold water on the base of turn up the handle.



### The flush system

Install the hot and cold water supply pile.

### Installation environment

While the qualified professional install the product, please note: make sure the installation area smooth(no any projecting joint or ceramic tile). Make sure the wall structure is suitable for install the product and no any defect on the wall.

### Fix material

Use the proper fix material only. The attached screw and screw bolts only suitable for concrete

## 7. Care and Maintenance

In order to keep the mixer surface bright, please keep often or regularly to clean the mixer.

- Wash faucet with clean water, and wipe with soft cotton cloth.
- Avoid using cleaning powder, harsh cleaning cleaning, brushes, and cloth with coarse surface to prevent scratching and corrosion.

- Do not use acidic cleaning agents for washing the faucet as it may cause corrosion on the surface of faucet. Rinse off with water immediately if the faucet in contact with harmful acidic agents.

Use clear water and the soft cloth, eliminate the superficial dirt and the filthy membrane as far as possible.

- Use clear water and the soft cloth, eliminate the superficial dirt and the filthy membrane as far as possible..

- Use the any following cleanser to remove the superficid dirt and the filthy membrane.

- Temperate liquid cleanser cleanser.
- The colorless glass cleaner, close not have the powdery cleanser which the abrasive action and can dissolve completely(according to instruction mix).
- Polish liquid which does not abrasive acting.

- After clealy, please remove the complete cleansing agent with the clear water, and wipes with soft cotton fabric.

