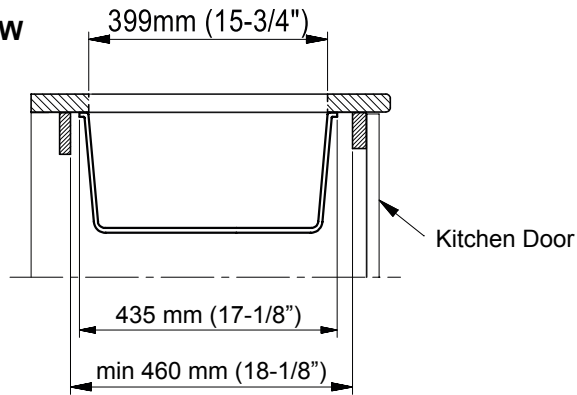
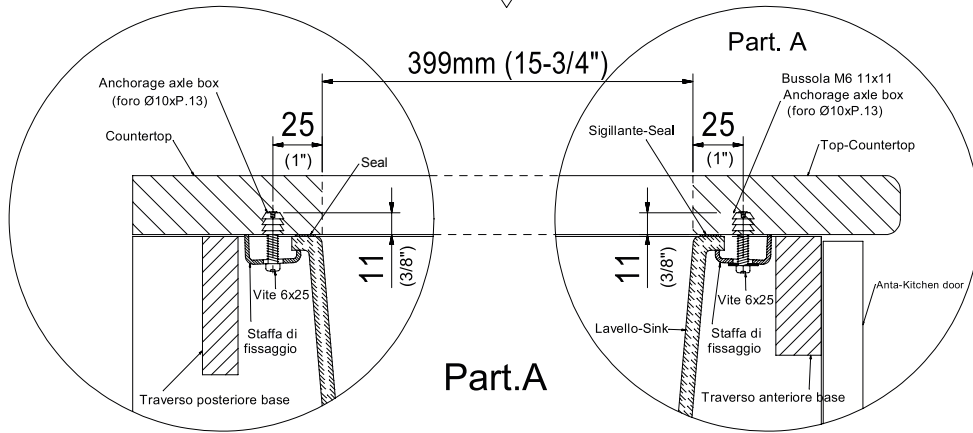


### SIDE SECTION VIEW



### CABINET BACK

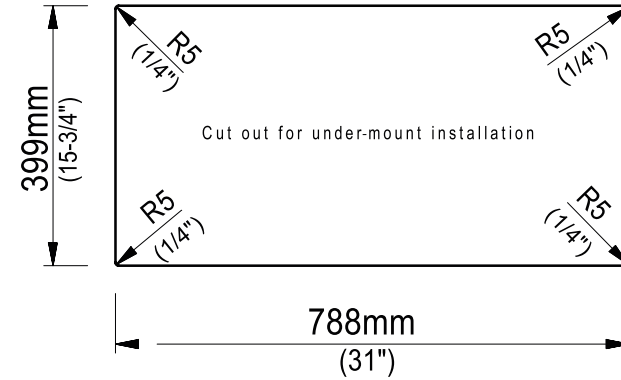
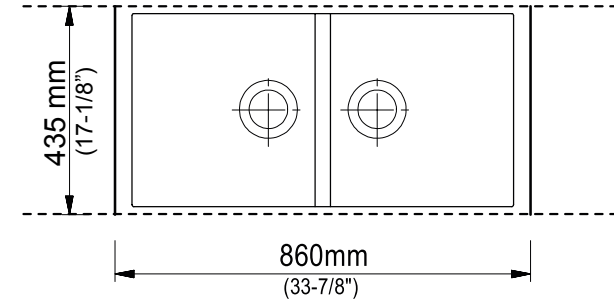
### CABINET FRONT



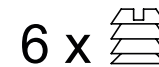
### Side Section View Details

Fasten the 3 mounting brackets with the 6x25 screws

Fasten the 3 mounting brackets with the 6x25 screws



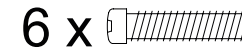
### Undermounting hardware



6 x Anchrage axle box M6 11x11



6 x Undermount bracket



6 x Screw 6x25



6 x Washer 6,5x14