



# INSTALLATION MANUAL THERMOSTATIC RAIN SHOWER MIXER

ITEM NO.: **AB2862**

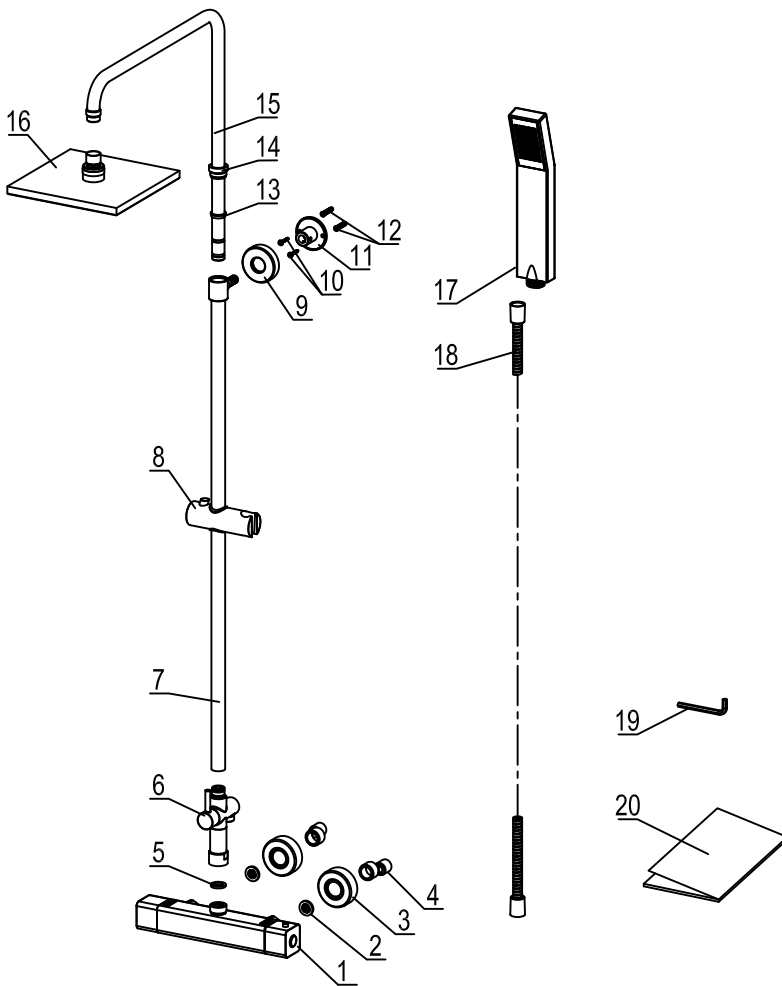
## ※ COMPONENTS CHECKING

### LIST OF THE STANDARD COMPONENTS:

Please double-check the components list hereinafter and contact our company or our distribution for any unconformity.

Remark: 1. Without affecting their performing, components may be changed without further notice.

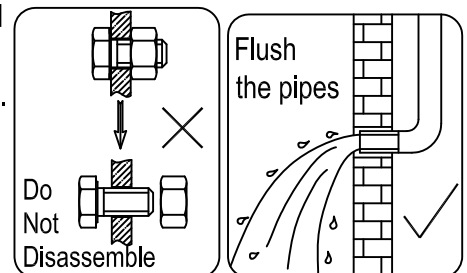
2. Drawings for reference only. Product size & shape refer to actual faucet.



The Components List	Qty.
1 .Main body	1
2 .Washer A	2
3 .Decorative cup A	2
4 .S-union	2
5 .Washer B	1
6 .Shower diverter	1
7 .Shower pipe	1
8 .Shower hook	1
9 .Decorative cup B	1
10 .Self-tapping screw	2
11 .fixing seat	1
12 .Expanding plastic grain	2
13 .Taper gasket	1
14 .Nut	1
15 .Shower arm	1
16 .Overhead shower	1
17 .Handshower	1
18 .Flexible hose	1
19 .Allen wrench	1
20 .Manual	1

## ※ Installation instructions:

- ☆ Do not disassemble the main body, as it has been installed & commissioned correctly & precisely before leaving the factory.
- ☆ To avoid the faucet from jamming, do flush the water pipe before installation.
- ☆ After installation, make sure every joint is safely sealed & no leaking.
- ☆ The nominal water pressure is (0.05-1.0)MPa (including cold & hot water pressure), suitable for water temperature from 4°C to 90°C.
- ☆ Make sure to connect the hot/cold inlet pipe correctly, if standing in front, hot water pipe connecting to the left & cold water pipe connecting to the right.



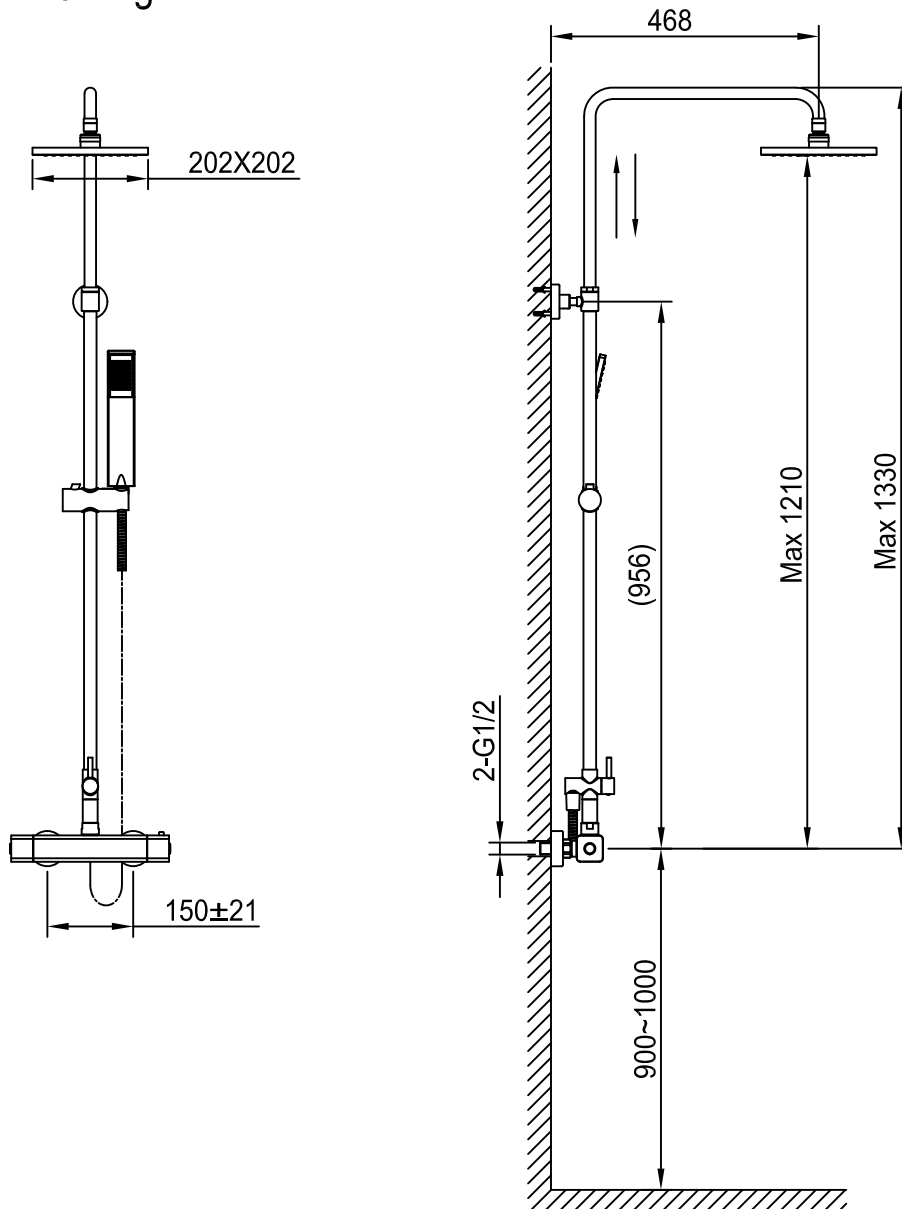
## ※ Generals

This thermostatic mixer is designed for solar heating system, for where there is the case that the mixing water from other mixers easily get too hot because of high pressure difference between cold and hot water supplying.

The main characteristics:

1. With synchronized opening valves, there is no need to have check-valves for this thermostatic valve, not only minimizing the water resistance but also maximizing the water flow-rate.
2. With blocking design, very convenient for installation and maintenance.
3. With inlaying ceramic disks, enduring high water temperature up to 100°C.
4. With Vernet thermostatic element, the best temperature regulation and safty.
5. With automatic limit to highest water temperature of 50°C, the guarantee of anti-scald function.

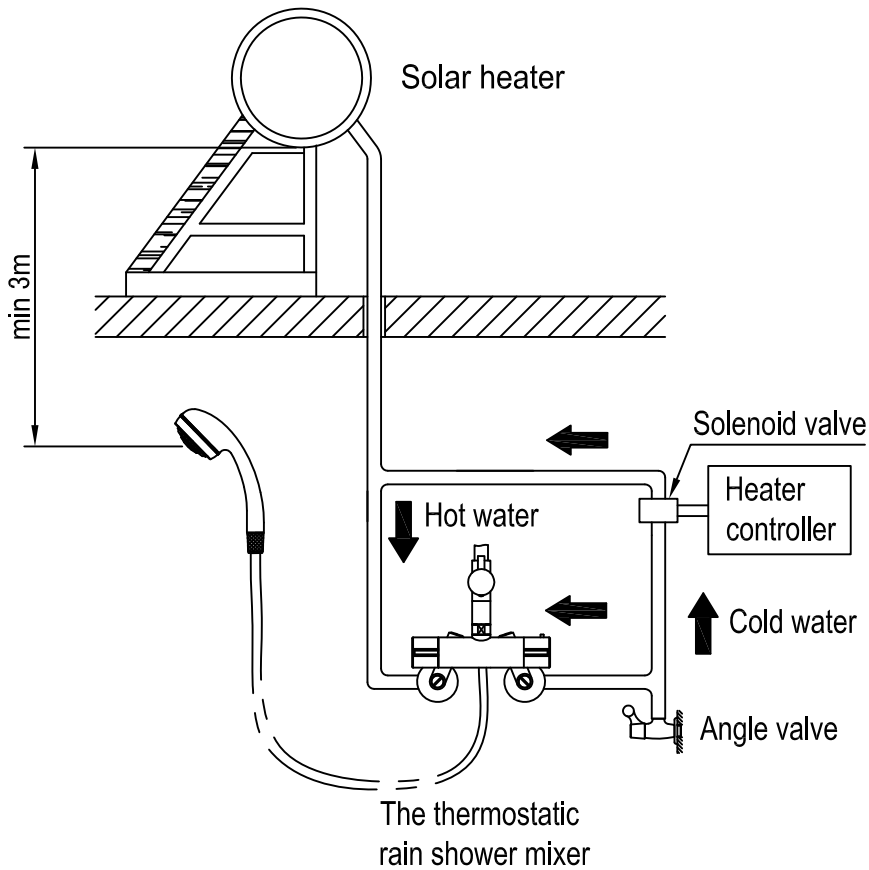
## ※ Dimension Drawing



## ※ Technical data

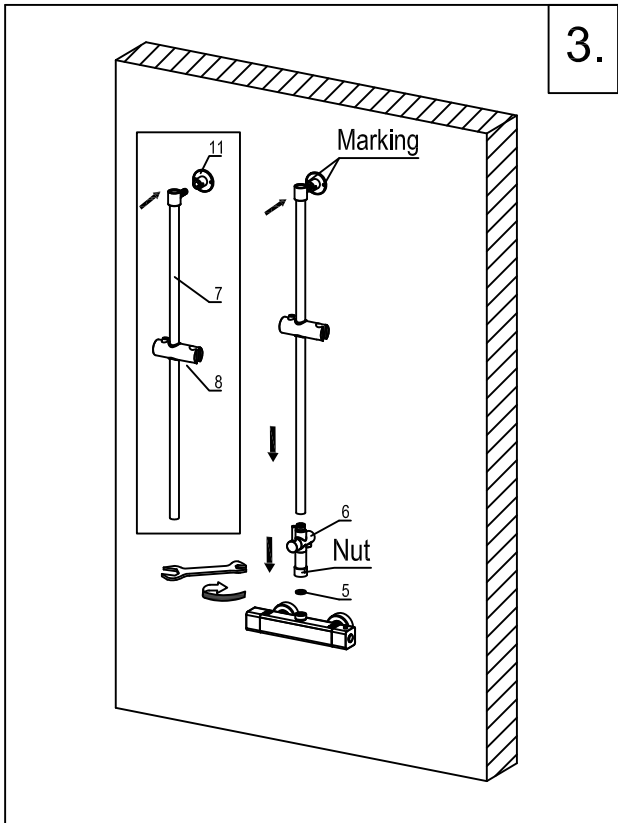
Working temperature	Temperature range	Tolerance
(4-90)°C	(30-55)°C	±2°C

## ※ Pipes connection chart

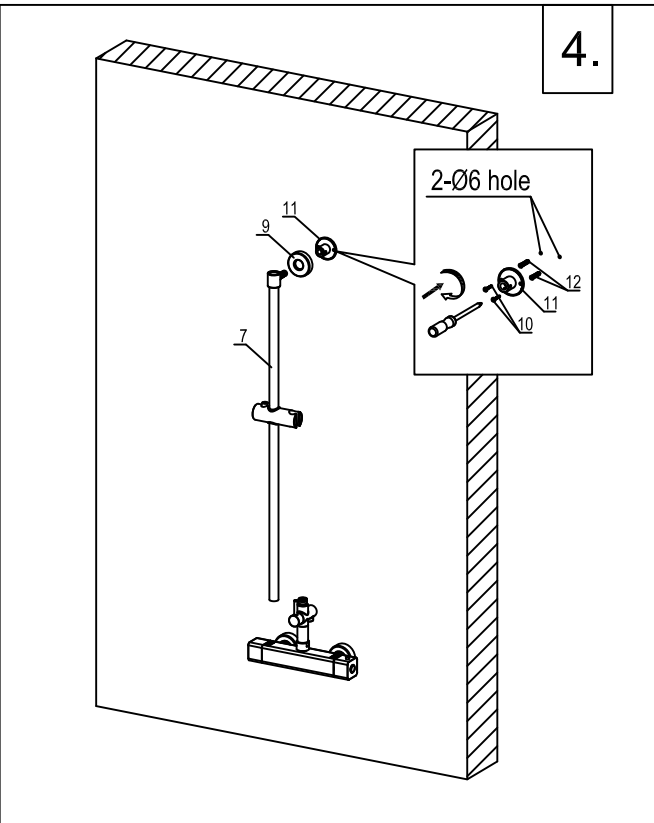


## ※ Installation Procedures

<p>1.</p>	<p>2.</p>
<p>1. Please imbed in advance the pipes for cold &amp; hot water and leave beforehand two installation holes on the appropriate height. After twisting the PTFE tape on the thread of the S-unions(4), screw the S-unions into the pipes, two S-unions should be kept horizontally.</p>	<p>2. Screw the decorative cup A(3) onto the S-unions(4), and install the main body(1) with washer A(2) with a wrench.</p>



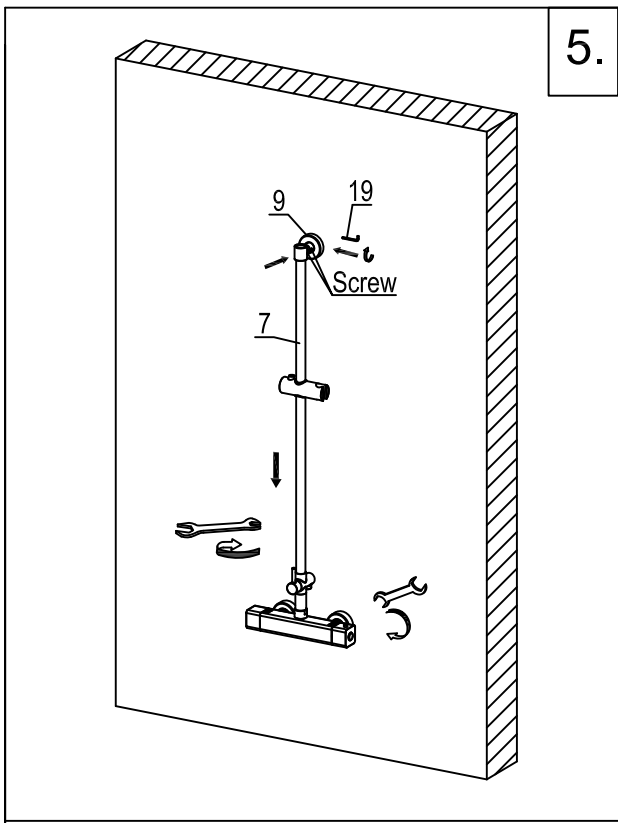
3.



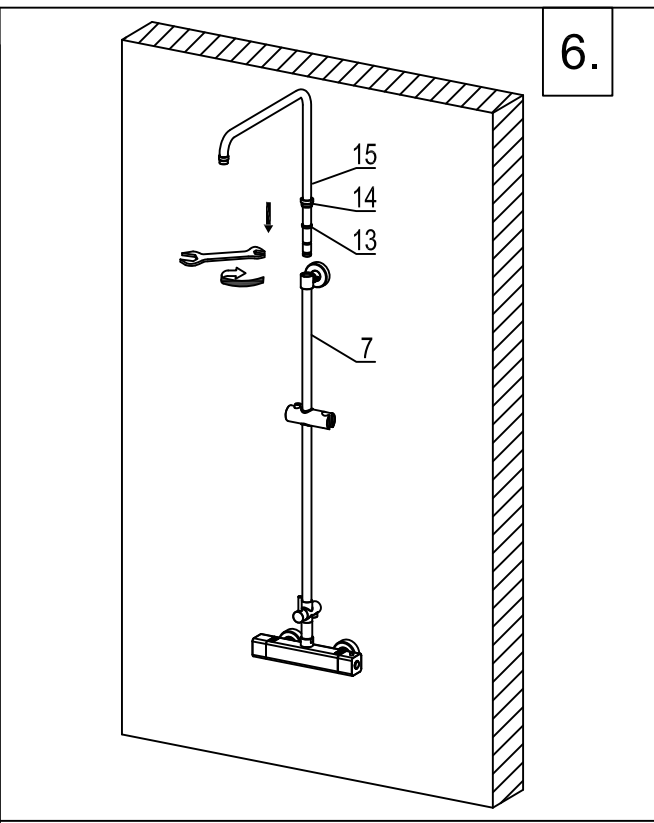
4.

3. Install the shower diverter(6) with the washer B(5) on main body, install the fixing seat(11), shower pipe(7) by tightening screws, then insert them to the shower diverter, make two marking on the wall for drilling holes to the install fixing seat.

4. Remove the shower pipe and fixing seat, drill 2-Ø6 holes before beat one expanding plastic grain(12) into each hole. Then fix the fixing seat on the wall with the self-tapping screws(10).



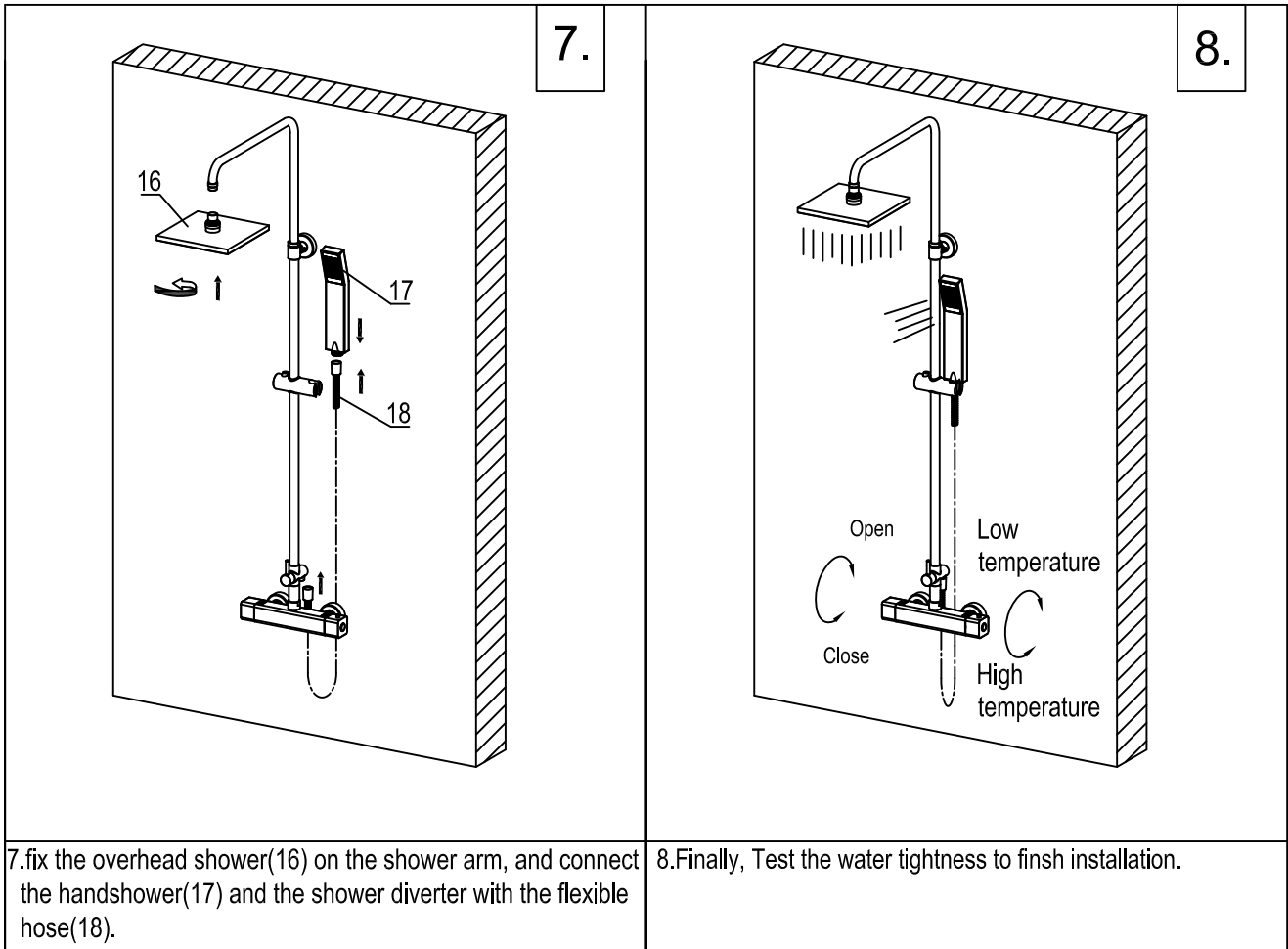
5.



6.

5. Insert the decorative cup B(9) into the fixing seat, and insert the shower pipe into shower diverter and fixing seat, after adjusting the location of the shower pipe, tighten the screws with the allen wrench(19).

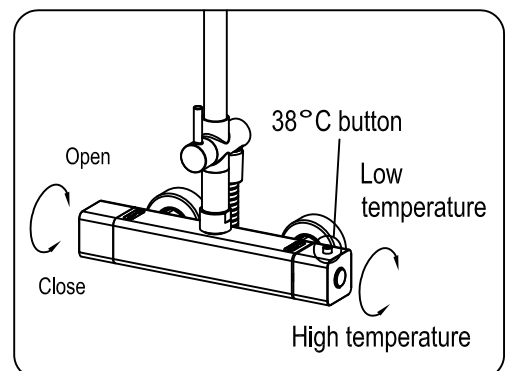
6. Insert the shower arm(15) with the taper gasket(13) and nut (14) into the shower pipe(7), tighten the nut with a spanner after adjusting the shower arm orientation and the inserted depth you needing.



### ※ Usage:

☆ How to operate the temperature handle and the switch handle:

1. First, turn on the cold water supply, then hot water supply, or it'll cause damage to the thermostatic cartridge.
2. The temperature will be preset to 38°C on the thermostatic handle, to avoid overheat when open the faucet, pls press the 38°C button and turn the handle to the scale for your desired temperature.
3. The thermostatic cartridge will lose effectiveness or even being damaged for overheat exceeds 80°C.
4. We suggest to turn the thermostatic handle to the low temperature open the switch handle.
5. The switch handle is on the left of the faucet, with ceramix cartridge for quarter turn, turn the handle up to open faucet, and down to close faucet.



☆ Maintenance:

It's mostly considered that too much impurities deposited in the mixing valve if the thermostatic cartridge fails to work in usage.

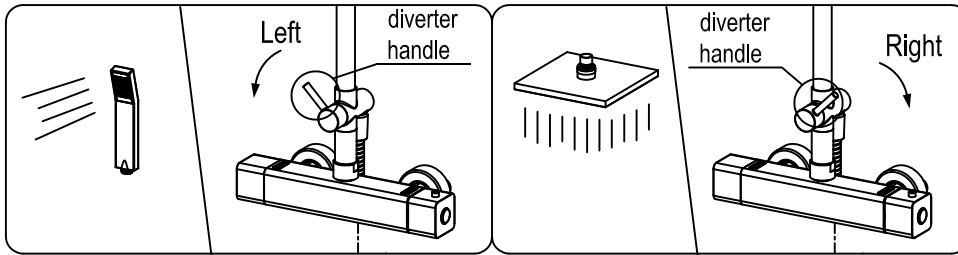
Solution: Take out the hose, turn on the switch handle to the max flow capacity, the other hand, turn the thermostatic handle from the max temperature to the min temperature, with 10 times more recycles, to flash away the sands or other impurities. Then, turn off faucet & return thermostatic handle to the 38°C button, try again to see if the faucet back to its normal state after water supply recovers.

If it still fails to work, pls contact us or our distributor immediately for maintenance.

Pls cut off hot/cold water supply if any leaking problem arisen, and contact us or our distributor immediately for maintenance.

☆The usage of the diverter handle :

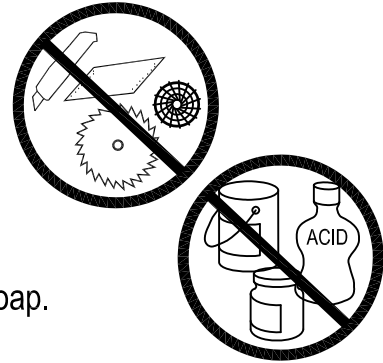
- 1) Turn the diverter handle anti-clockwise to the left, the water comes from handshower.
- 2) Turn the diverter handle clockwise to the right, the water comes from overhead shower.



## ※ Cleaning & Maintenance

☆ To keep the product clean & shining, follow the steps as below:

1. Flush with clean water & dry with soft cloth only.
2. If any dirt, clean with soft liquid or transparent glass detergent.
3. Do not use any scrubbing detergent, polisher, sand-cloth, paper tissue or scraper.
4. Do not use acid detergent, indissolvable grain-like detergent or soap.



※This installation instruction is only for your reference,  
the final right to explain & to revise it belongs to us.