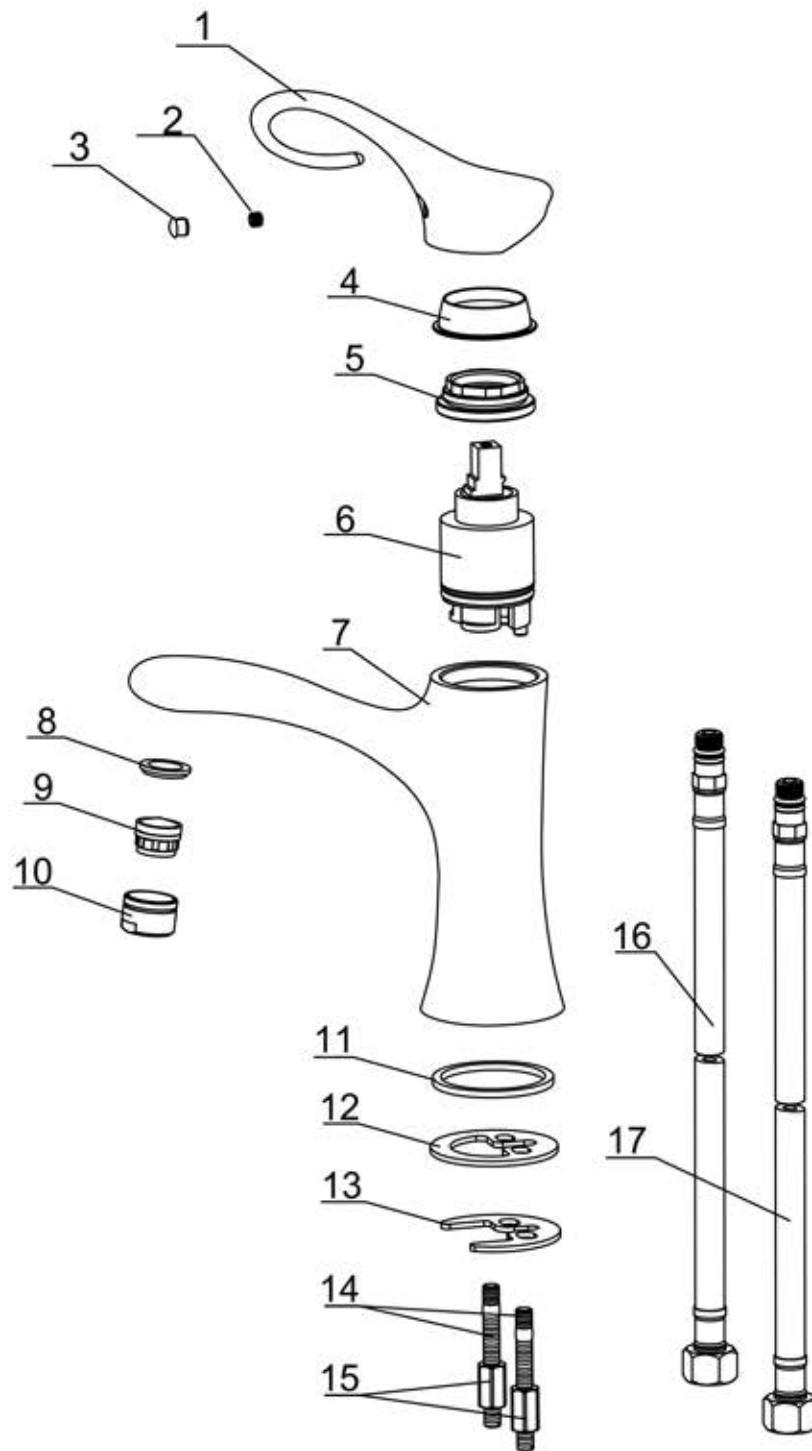


AB1295



| | | | | |
|-----|---|-----------------|-----|-------------|
| 17 | $\frac{9}{16}$ steel wire pipe (500)(NSF)(Blue) PEX | Subassembly | 1 | 50042053426 |
| 16 | $\frac{9}{16}$ steel wire pipe (500)(NSF)(Red) PEX | Subassembly | 1 | 50042053421 |
| 15 | 1360 Nut (M6) | H59 | 2 | 50020002601 |
| 14 | 1813 Fixing bolt | Stainless steel | 2 | 50020002301 |
| 13 | 1176 Two hole gasket | Q235 | 1 | 50020013254 |
| 12 | 1360 Two hole washer | Rubber | 1 | 70020002230 |
| 11 | 1050 washer | NBR | 1 | 70020005830 |
| 10 | 1822 Housing | H59 | 1 | 50050023401 |
| 9 | M20*1 Insert | Subassembly | 1 | 50050027524 |
| 8 | M20*1 washer | NBR | 1 | 70030033830 |
| 7 | AB1295 Mainbody | H65 | 1 | 10010101401 |
| 6 | 35H cartridge (KE) | Subassembly | 1 | 20060003400 |
| 5 | 1298 cartridge nut (M37*1.25) | H59 | 1 | 40060075252 |
| 4 | 2218 cartridge decorative cover | ABS | 1 | 50010078001 |
| 3 | 1272 Plug | Silica gel | 1 | 50010103731 |
| 2 | M5*4 fixing screw | Stainless steel | 1 | 50060012000 |
| 1 | 1295 Handle | Zinc alloy | 1 | 20010022401 |
| No. | Description | Material | Qty | Code |